

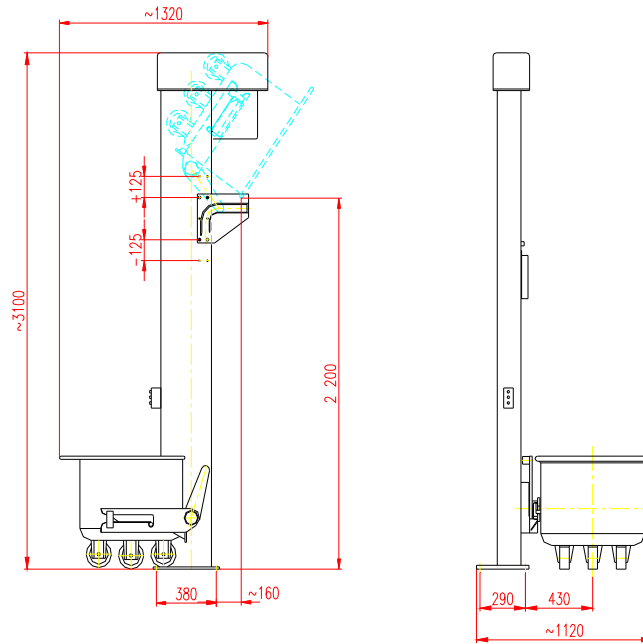


LIFTING AND TIPPING DEVICE
stationary, mechanical
type PM - R



Strojírna Pálava Maxima s.r.o.

DESÁTKOVÁ 124/15, 623 00 BRNO KOHOUTOVICE
Manufactory: TOVÁRNÍ 34, 679 32 SVITÁVKA, CZECH REPUBLIC
tel: +420 - 516 453 834, fax: +420 - 516 453 834
e-mail: info@s-palava.cz; www.s-palava.cz



Device serves for lifting and tipping of 200 litres trolleys into the chosen processing device. Standard lift and tilt devices are built for 200 litres trolleys which we deliver. For other type of trolley or lock is necessary to give a dimensional draft. Tipping height is determined by position of the slot link on the column. Slot link setting is possible to deliver according to the customer's wish. The whole device is made of stainless steel; the chain is also stainless steel. Device is fixed to the floor by means of 4 steel bolts, or it could be delivered with mobile frame. The device can be delivered with plate for adjustment by the floor's disparity.

Technical data

Tipping height – standard	2200 mm
Max. tilt angle	130°
Load capacity	320 kg
Lifting speed	84 mm/s
Wattage	0,55 kW
Voltage	24 V / 50 Hz
Brutto weight	300 kg

Version:

